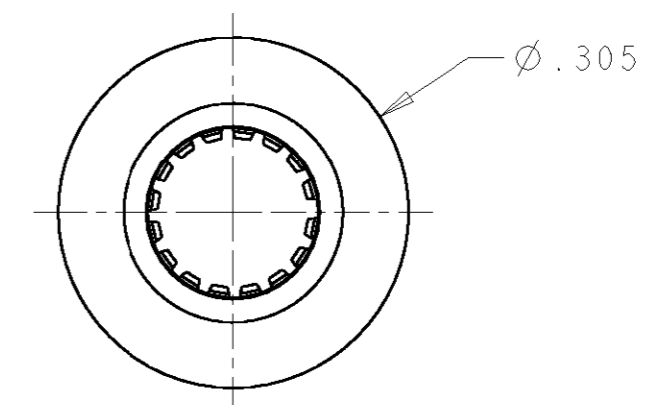
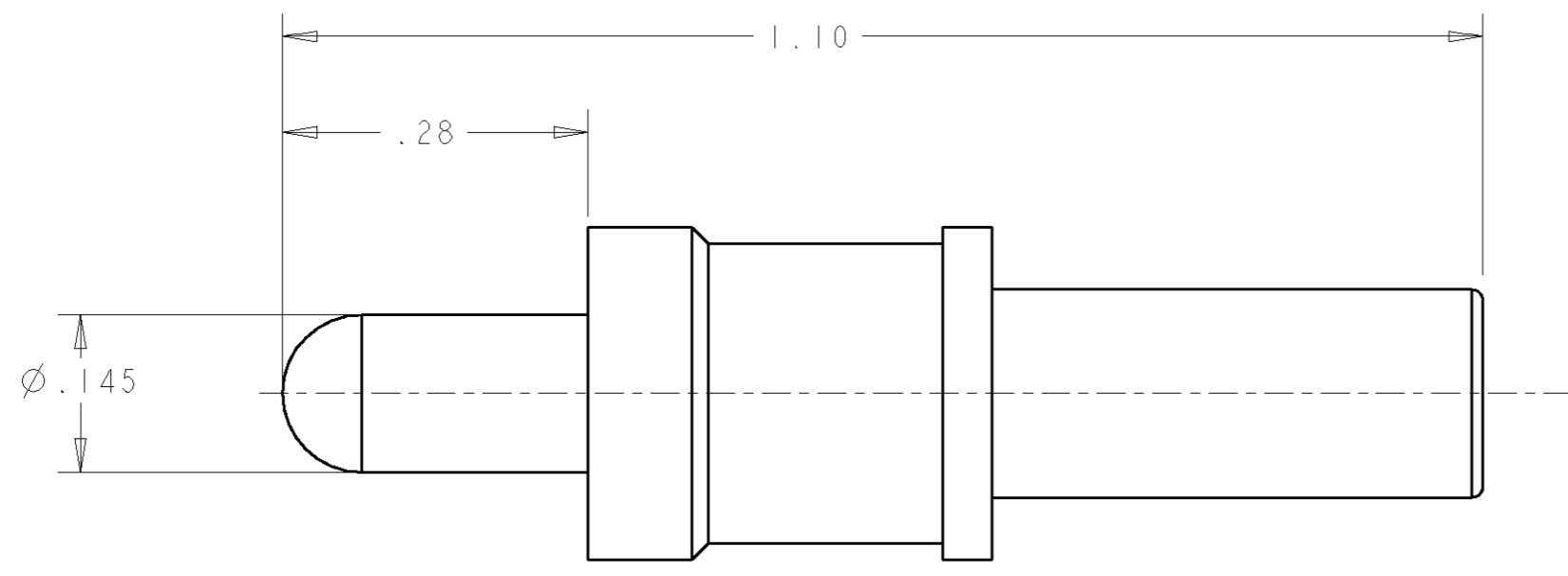


THIS DRAWING IS UNPUBLISHED. RELEASED FOR PUBLICATION 20  
 © COPYRIGHT 20 BY TYCO ELECTRONICS CORPORATION. ALL RIGHTS RESERVED.

LOC	DIST	REVISIONS			
P	LTR	DESCRIPTION	DATE	DWN	APVD
GP	00	A	RELEASED	11MAY2007	RG DO



1. PART NUMBER CHANGES AND OR DESIGN CHANGES AFFECTING THE INTERCHANGEABILITY REQUIRE PRIOR TYCO APPROVAL AND AUTHORIZATION BY REVISION TO THIS DRAWING.

2. MATERIAL;  
 SOCKET BODY: BRASS ALLOY  
 CROWN BAND: BERYLLIUM COPPER ALLOY
3. FINISH:  
 SOCKET BODY: SILVER PLATE .000200 MIN THK. OVER NICKEL  
 .000040 MIN. THK.  
 CROWN BAND: GOLD PLATE .000030 MIN THK. OVER NICKEL .000050 MIN THK.

4. ITEMS PROVIDED TO THIS SPECIFICATION TO BE PERMANENTLY IDENTIFIED ON THE CONTAINER WITH THE FOLLOWING IDENTIFIER:

TYCO PART NO.                       
 XXXXXXXX-X

DATE CODE (e.g. 0216)             
 XXXX

YEAR    WEEK   

AS SHOWN	6648400-1
DESCRIPTION	PART NUMBER

<small>THIS DRAWING IS A CONTROLLED DOCUMENT FOR TYCO ELECTRONICS CORPORATION IT IS SUBJECT TO CHANGE AND THE CONTROLLING ENGINEERING ORGANIZATION SHOULD BE CONTACTED FOR THE LATEST REVISION.</small>		DWN R.GRZYBOWSKI 11MAY2007 CHR D.ORRIS 11MAY2007 APVD S.FLICKINGER 11MAY2007	Tyco Electronics Harrisburg, PA 17105-3608
DIMENSIONS: INCHES 	TOLERANCES UNLESS OTHERWISE SPECIFIED: 0 PLC ±- 1 PLC ±- 2 PLC ±.02 3 PLC ±.01 4 PLC ±- ANGLES ±-	PRODUCT SPEC - APPLICATION SPEC - WEIGHT -	NAME SOCKET CONTACT, SIZE No 8 STANDARD, PC TAIL DRAWER/DOMINO
MATERIAL -	FINISH -	CUSTOMER DRAWING	SIZE A3 CAGE CODE 00779 DRAWING NO C-6648400 RESTRICTED TO - SCALE 6:1 SHEET 1 OF 1 REV A

**ELCON CONTACTS**